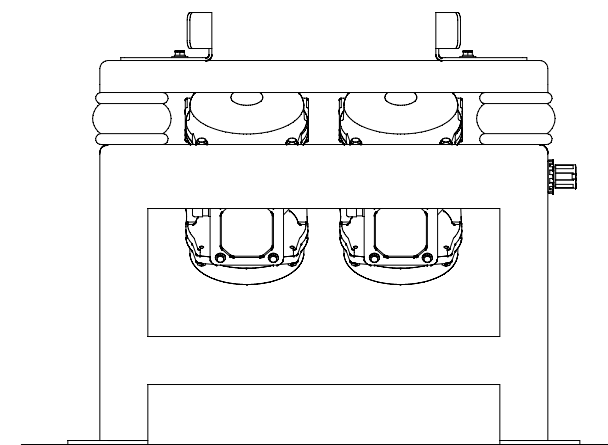
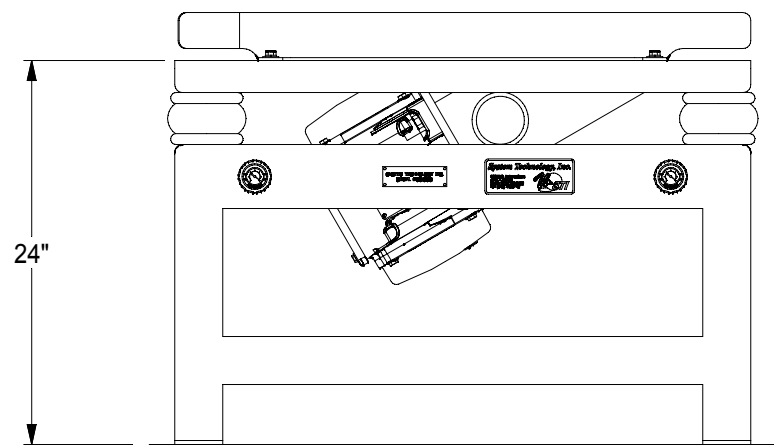


← FLOW



CONTROLS TO BE MOUNTED ON
(CIRCLE CONTROLS SIDE)

LEFT HAND RIGHT HAND

IF NOT SPECIFIED, CONTROLS WILL BE
ON THE RIGHT HAND SIDE.

S:\Mechanical\Conveyors & Accessories\STI\VF3628 Vibration Feeder Conveyor\VF-28-36 Vibration Feeder Conveyor.FC7



System Technology, Inc.

20855 S. Amherst Court
Joliet, IL 60433
Phone: (815) 726-6700 Fax: (815) 726-6740

NOTICE: This document is the property of System Technology Inc. and is issued in strict confidence for its intended purpose only. It must not be copied or reproduced in any form and returned upon demand.

PROJECT	CUSTOMER P.O.	CUSTOMER			TITLE				
J0000	0000	CUSTOMER			MODEL VF-28-36 VIBRATORY FEEDER CONVEYOR				
MOTOR POWER	MOTOR HP	FINISH	ELEVATION	CONTROLS HAND	ENGINEER	DATE	SCALE	SIZE	DRAWING NAME
460/3Ph	1/3 HP	GRAY	24"	RIGHT HAND	BE	6 FEB 2011	1" = 12"	B	VF-28-36